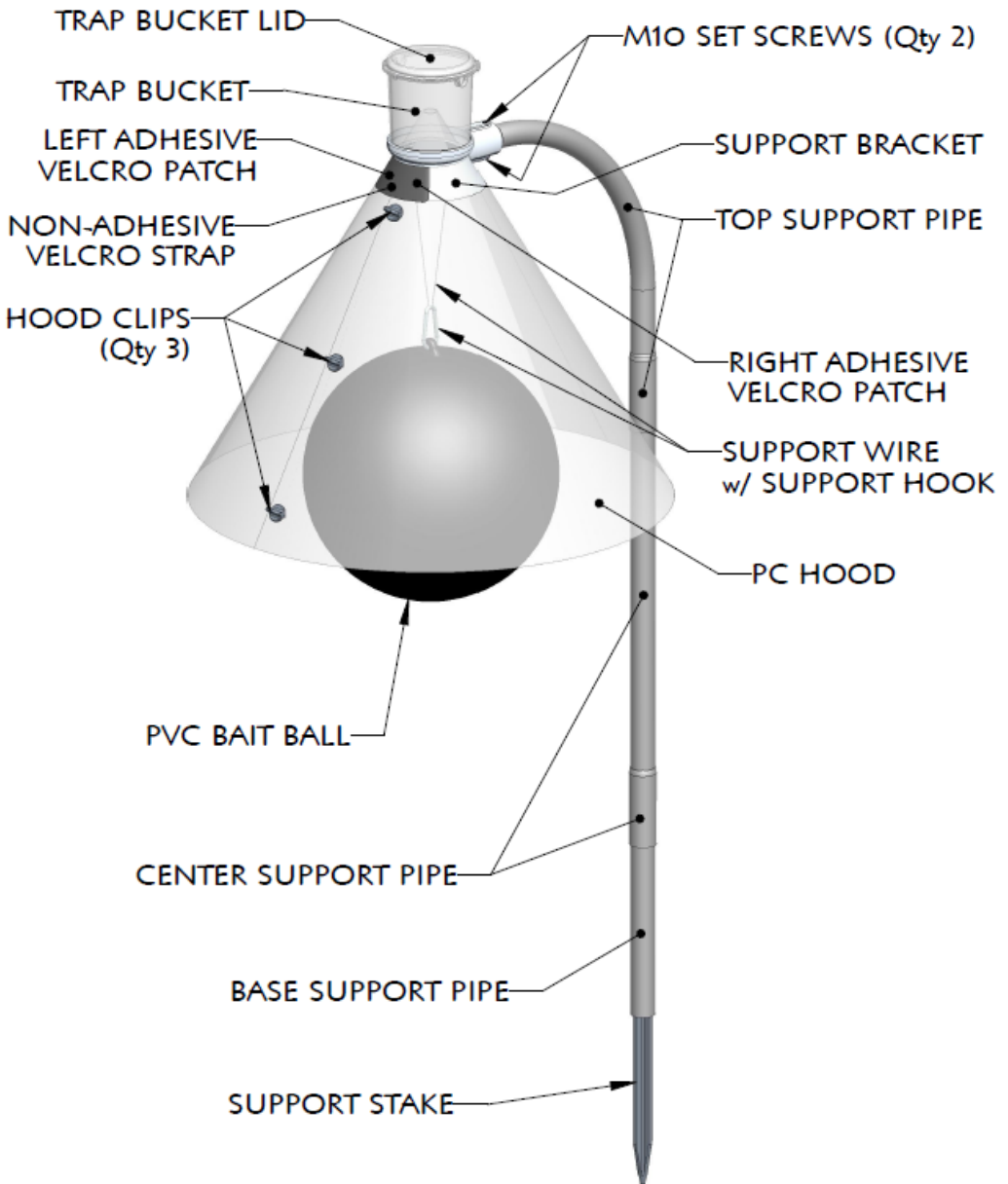


# AGRIBOTICS HORSE FLY TRAP



## ASSEMBLY TOOLS

① 5mm Hex Wrench



(included)



② Air Pump Needle



③

(not included)



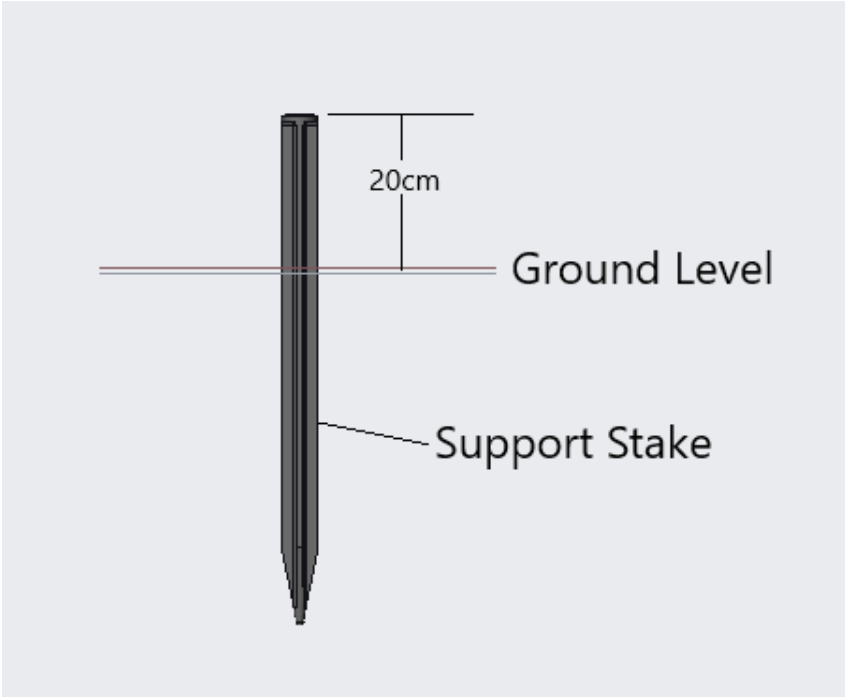
④



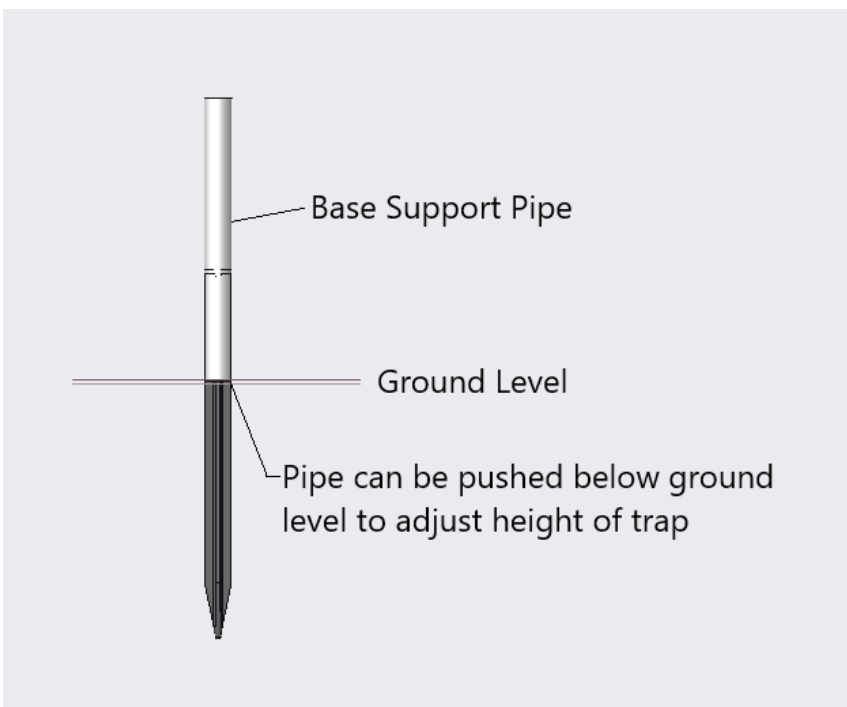
## HORSE FLY TRAP ASSEMBLY INSTRUCTIONS

1.) Pick a location which gets plenty of sunshine. Horse flies avoid shade and are attracted to dark, heated objects.

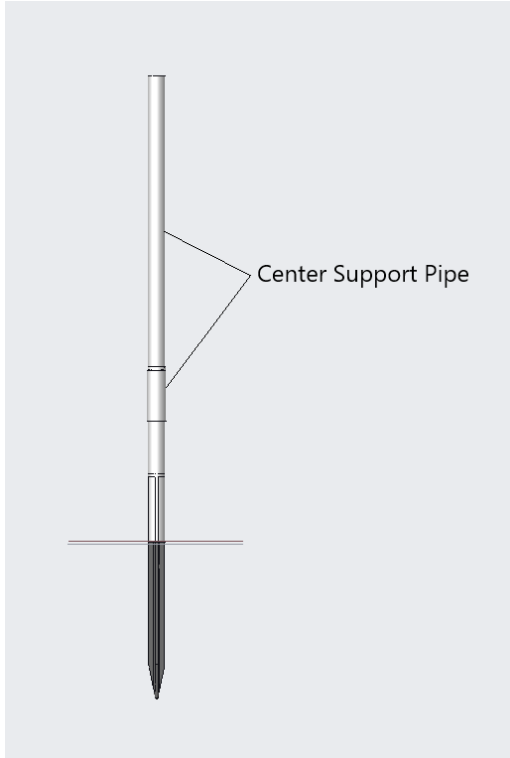
2.) Use a hammer to drive Support Stake into ground, leaving about 20cm length extended above ground:



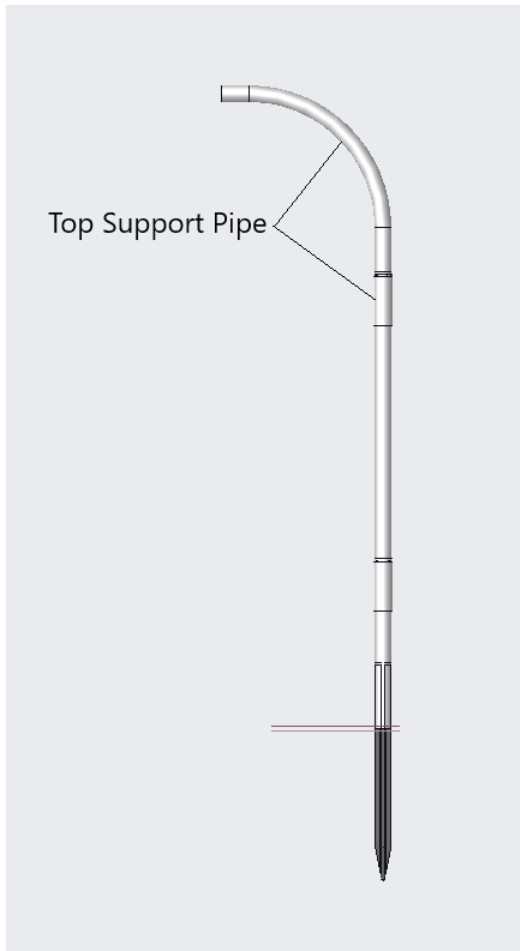
3.) Push short 50cm long Base Support Pipe onto Support Stake. Drive Base Support Pipe into ground a short distance if desired to improve stability or to adjust height of trap:



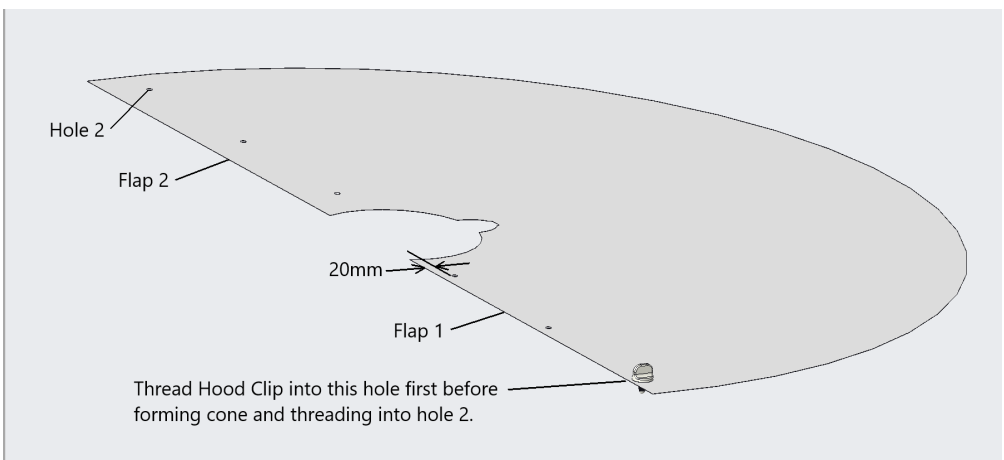
4.) Push expanded end of 1 meter long Center Support Pipe onto Base Support Pipe:



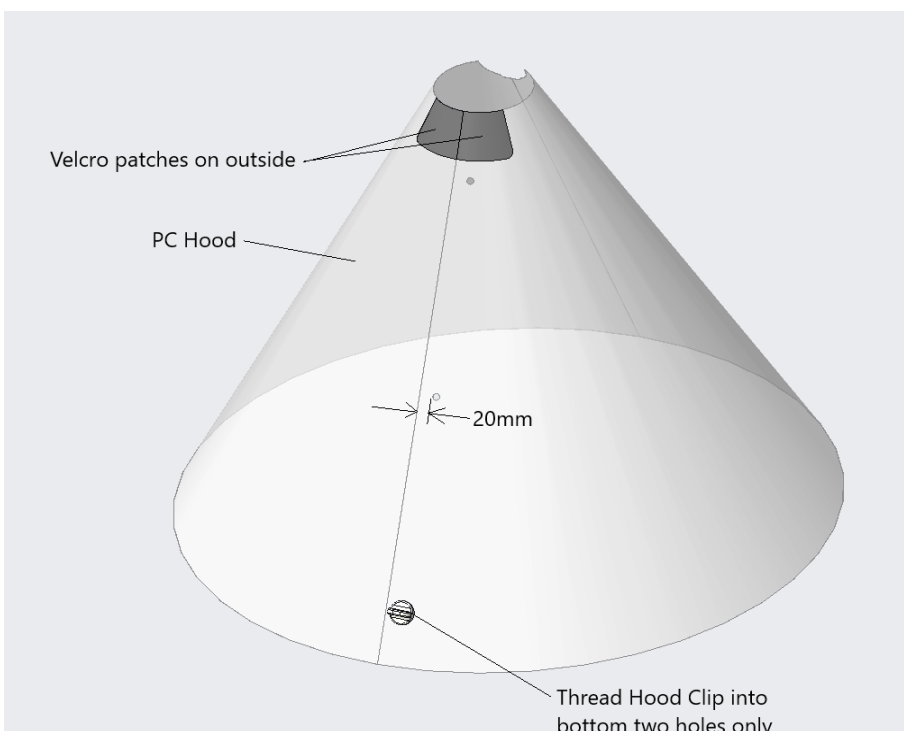
5.) Push expanded end of Top Support Pipe onto Center Support Pipe:



**6.) Unroll PC Hood and lay out flat. Thread first Hood Clip fully into hole closest to edge (20mm) shown below until it turns freely. Then erect PC Hood into cone shape as shown in step 7 with Flap 1 on outside and Flap 2 on inside:**



**7.) Two Velcro Patches should be on outside when PC Hood is erected correctly. Align Hole 2 of Flap 2 with Hood Clip and thread both flaps together until firmly tightened:**



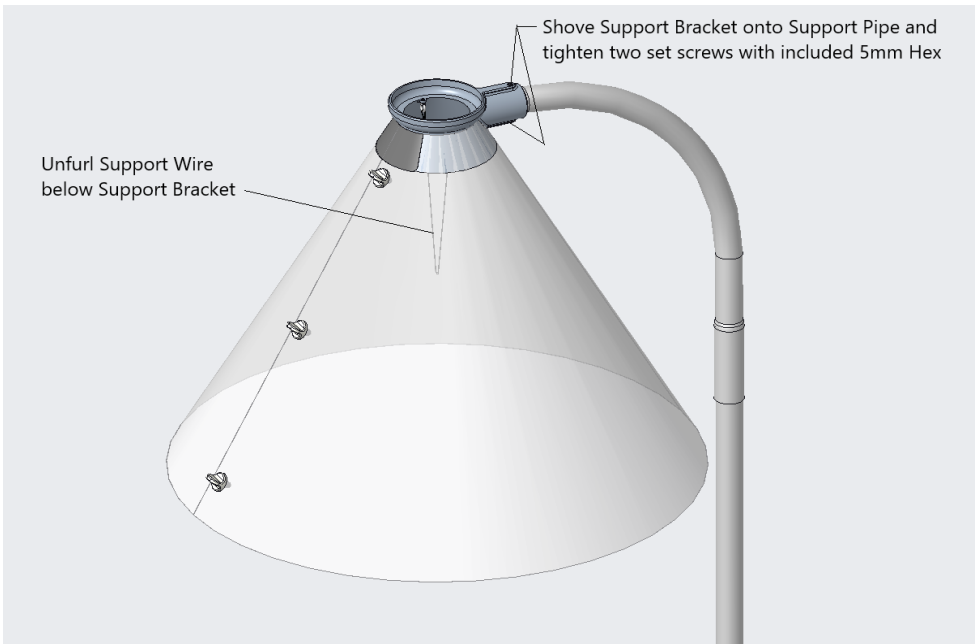
**8.) Fit cast aluminum Support Bracket into matching cutout in top of PC Hood:**



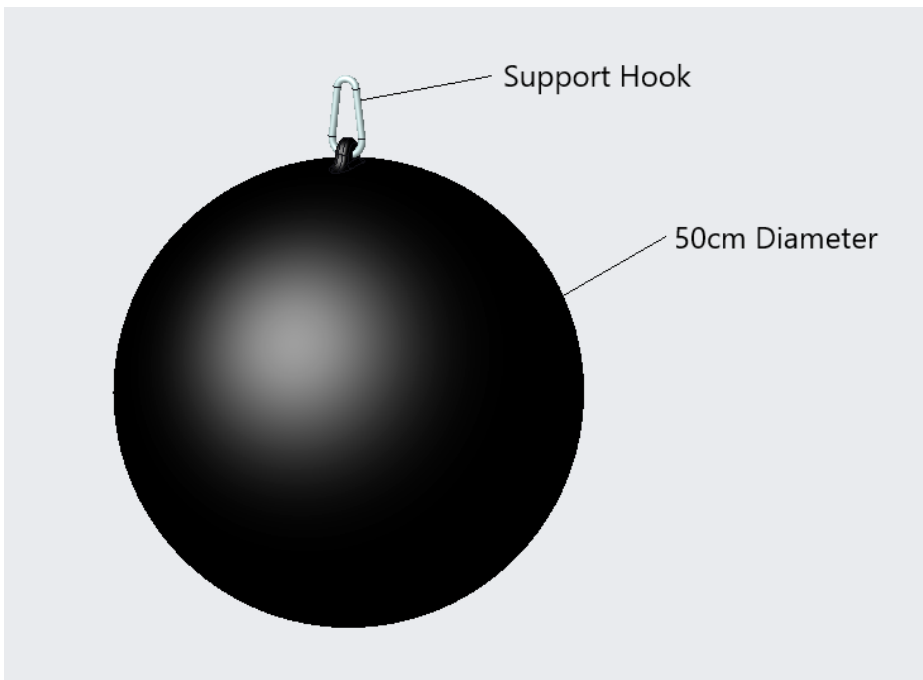
**9.) First, thread one Hood Clip into middle hole of outer Flap 1 only until it bottoms out and rotates freely. Then, reach thru hole in aluminum Support Bracket to support inside of Hood. Don't thread middle holes of both flaps together at the same time as it will be more difficult. Pull middle hole of inner flap into alignment and thread both flaps together until tight. Repeat process with two top holes. Lastly, use Non-Adhesive Velcro Strap to tie two Velcro Patches together:**

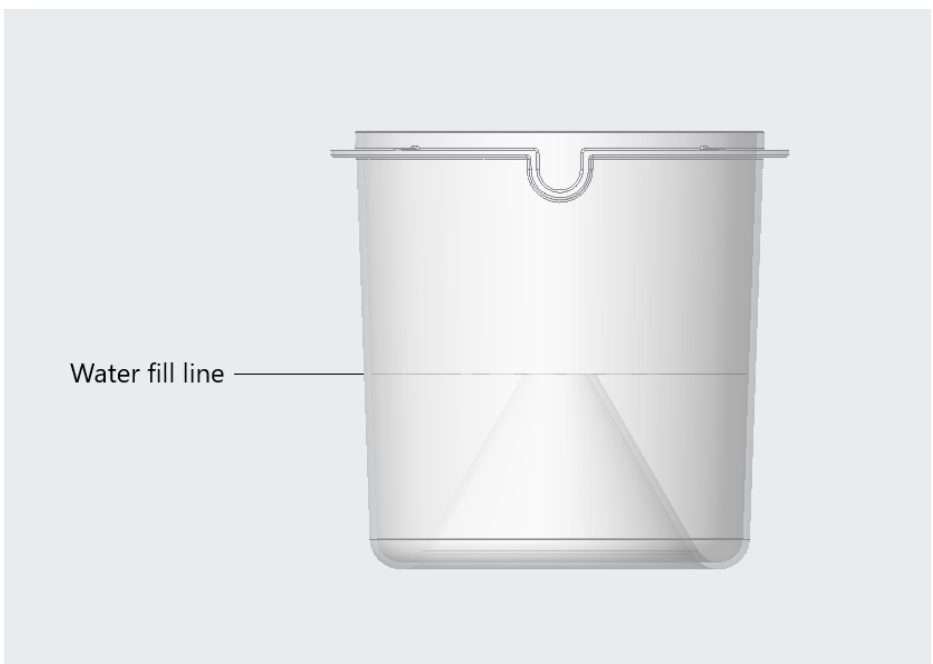


**10.) Unfurl Support Wire beneath Support Bracket and slide Support Bracket onto Support Pipe. Use provided 5mm hex wrench to tighten two set screws onto pipe:**



**11.) Inflate PVC Bait Ball to 50cm diameter with bicycle pump and provided air pump needle. Attach Support Hook to PVC Bait Ball:**



**12.) Clip PVC Bait Ball onto Support Wire using Support Hook:****13.) Fill Trap Bucket with water to line shown below:**

14.) Place Trap Bucket Lid on Trap Bucket and put both on top of Support Bracket:



15.) Disassemble Horse Fly Trap after horse fly season and store indoors until spring to avoid winter damage.

16.) Contact [www.agribotics.asia](http://www.agribotics.asia) for replacement parts.